




Part number

# CXM 6/6



## Brief description:

male insert, 6 poles + PE, crimp connections, 100A 690V, (6 poles (16A max - 400V)), 8kV, 3, for male contacts 100A and 16A, size "104.27", CLASS insert series

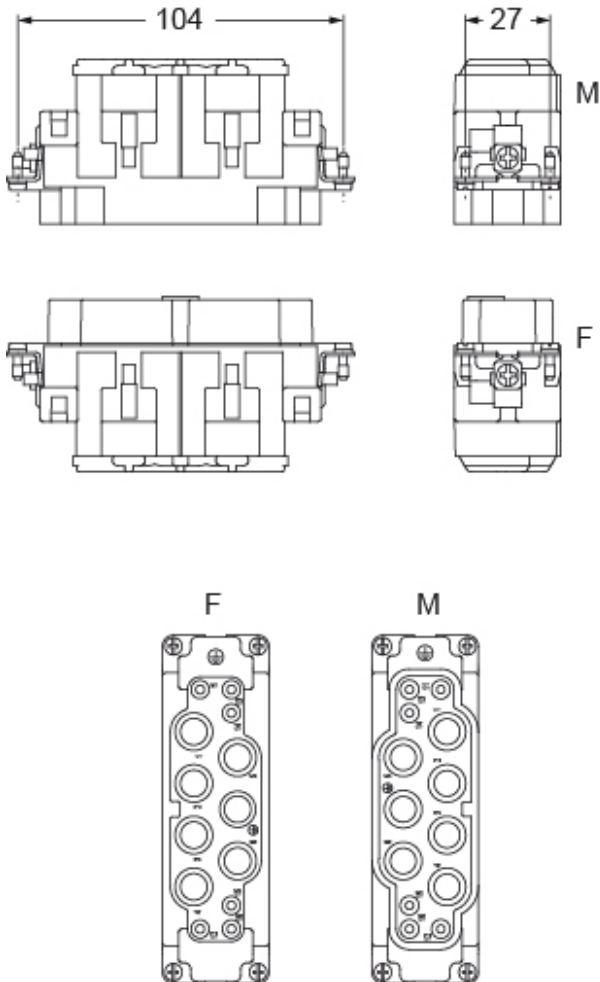
Product description		Approvals / Standards	
<b>Model</b>	male insert	<b>Reference standard</b>	EN 61984 (2001-11)
<b>Version</b>	crimp connections	<b>Quality mark</b>	  EAC
<b>Series</b>	CX	<b>Conformity</b>	CQC, CE
<b>Product type</b>	for male contacts 100A and 16A	<b>General ordering information</b>	
<b>Family</b>	CLASS inserts	<b>EAN13 code</b>	8015747192163
<b>Size</b>	size "104.27"	<b>Tariff number</b>	85369095
<b>N. of poles</b>	6 poles + 	<b>Country of origin</b>	Made in EU (IT)
<b>Auxiliary poles</b>	6 poles (16A max - 400V)	<b>ETIM classification</b>	EC000438
Technical data		Packaging Information	
<b>Current</b>	100 A (A.C. and D.C.)	<b>Packaging length</b>	130,00 mm
<b>Voltage</b>	690 V	<b>Packaging height</b>	145,00 mm
<b>Rated impulse withstand voltage</b>	8kV	<b>Packaging width</b>	300,00 mm
<b>Pollution degree</b>	3	<b>Packaging weight</b>	1,17 kg
<b>Operating temperature range (min, max)</b>	-40°C ... +125°C	<b>Packaging volume</b>	5,66 dm <sup>3</sup>
<b>Mating cycles</b>	≥ 500	<b>Packaging description</b>	Carton box
<b>IP degree of protection</b>	IP20 without enclosure; IP65/IP66/IP67/IP68 with enclosure	<b>Packaging quantity</b>	10 Pcs
<b>PE connection type</b>	Screw	<b>Packaging EAN code</b>	8015747192200
<b>PE terminal stripping length</b>	100A: 15mm; 16A: 7,5mm	<b>Sub-packaging weight</b>	0,12 kg
<b>Tightening torque for PE connection</b>	M4: 1,2 Nm, 10,6 lb.in (Ph2 or 1,0x5,5mm )	<b>Sub-packaging description</b>	Plastic bag
<b>Further technical details</b>		<b>Sub-packaging quantity</b>	1 Pcs
<b>Characteristics according to EN 61984</b>	100A 690V 8kV 3 (aux: 16A 400V 6kV 3)	<b>Sub-packaging EAN barcode</b>	8015747192217
<b>Insulation resistance</b>	≥ 10 GΩ		
<b>Contact resistance</b>	≤ 0,3 mΩ (100A); ≤ 1 mΩ (16A)		
<b>Rated voltage according to UL/CSA</b>	600V		
<b>UL 94 flammability rating</b>	V-0		
<b>Main contacts stripping length</b>	100A: 15mm; 16A: 7,5mm		
<b>Tightening torque for fixing screws</b>	M3: 0.5 Nm; 4.4 lb.in (Ph1 or 0.8x4 mm)		
<b>Weight</b>	101,00 g		

Part number

# CXM 6/6



## Catalogue drawings



## Notes

CXF/M 6/6

- characteristics according to EN 61984:  
100A 690V 8kV 3  
16A 400V 6kV 3
- insulation resistance: > 10 GOhm
- ambient temperature limit: -40 °C ... +125 °C
- made of self-extinguishing thermoplastic resin UL 94 V0
- mechanical life: > 500 cycles
- contact resistance: < 0,3 mOhm (100A) - < 1 mOhm (16A)
- for contact crimping, see the crimp tool section (100A contacts CG series, and 16A contacts CC series)
- enclosures: size "104.27":  
C-TYPE IP65/IP66  
C7 IP67 stainless steel lever  
V-TYPE IP65/IP66 stainless steel lever  
T-TYPE IP65 insulating  
JEI zinc-plated steel lever  
BIG hoods

W-Type for aggressive environment

EMC

central lever

IP68

- panel supports:COB

- enclosures: bulkhead mounting housings, high construction housings or high construction hoods